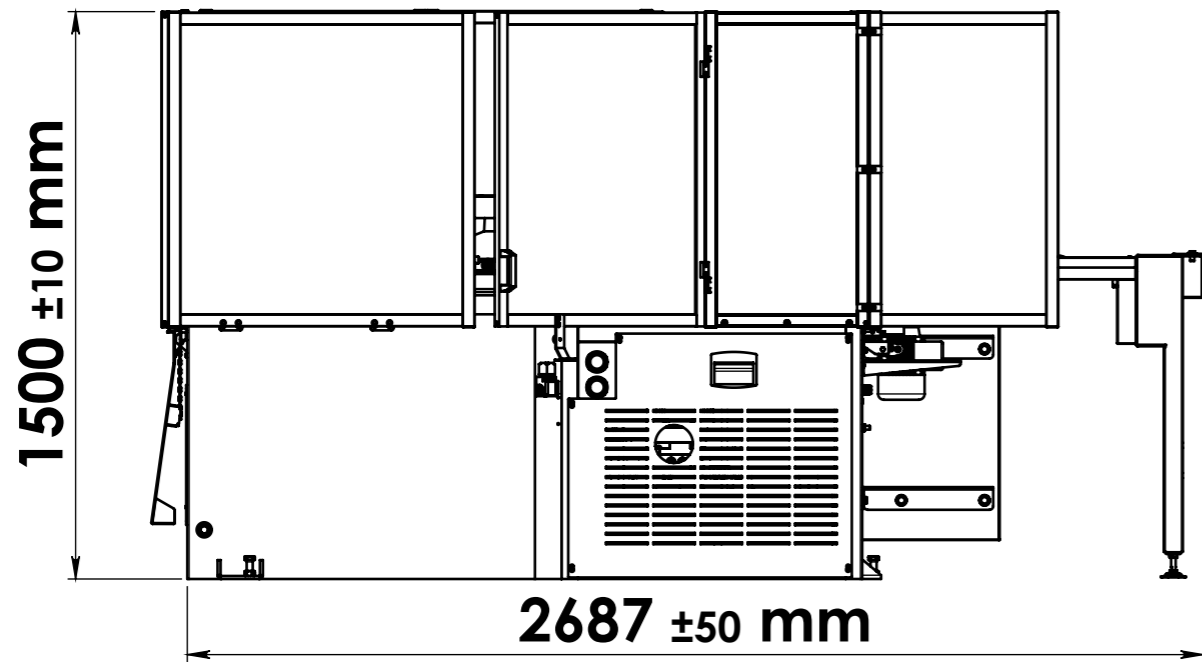
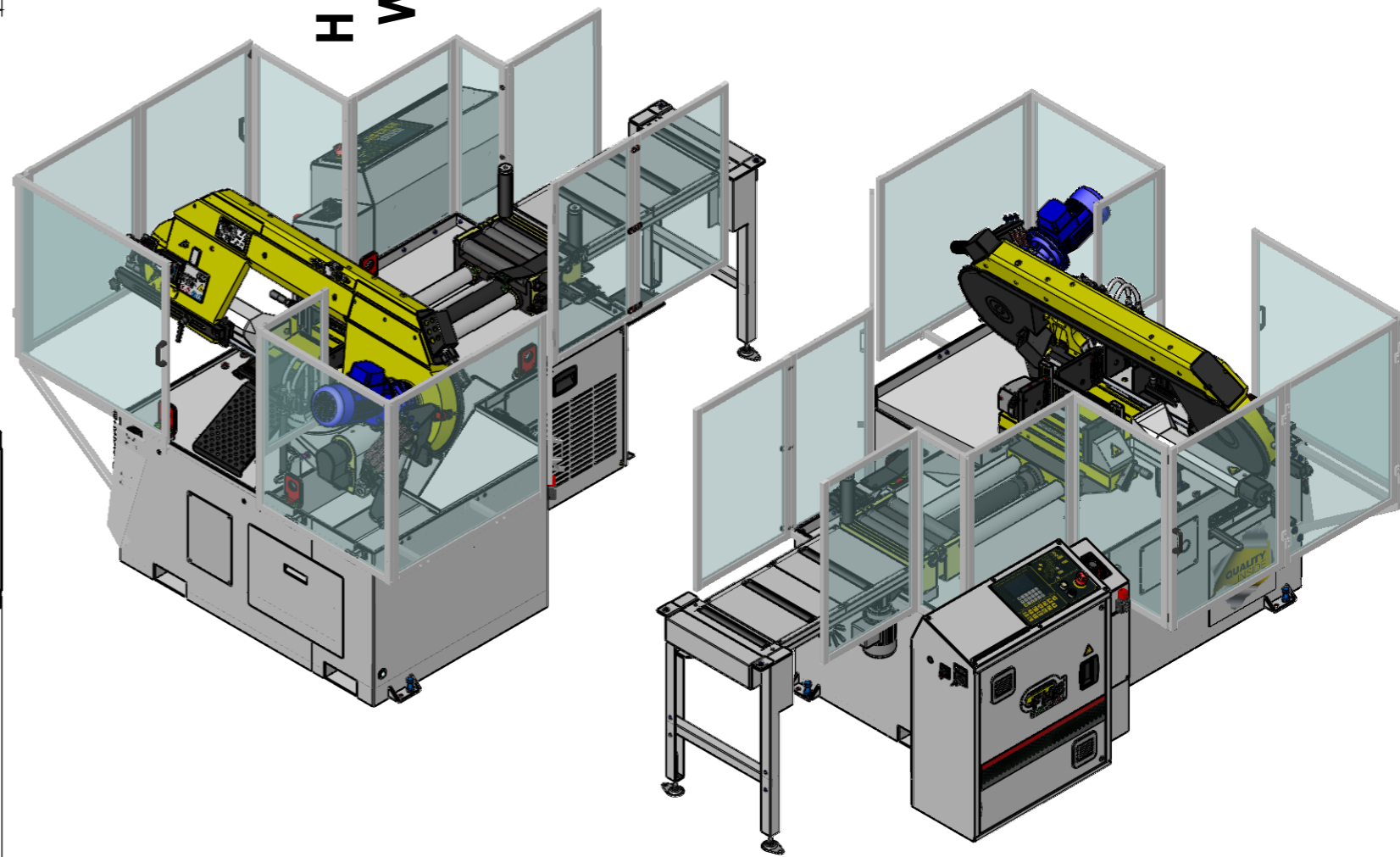
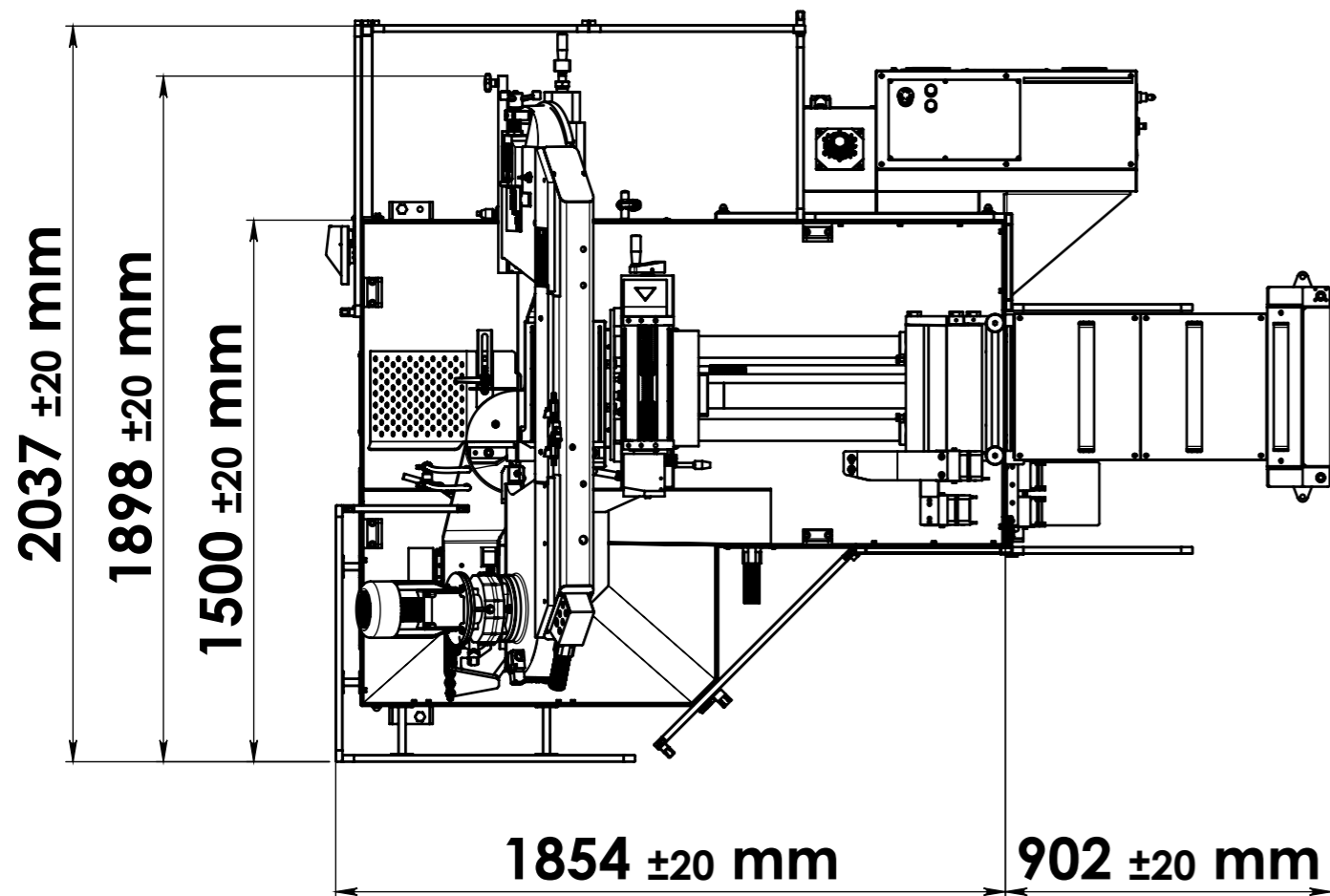
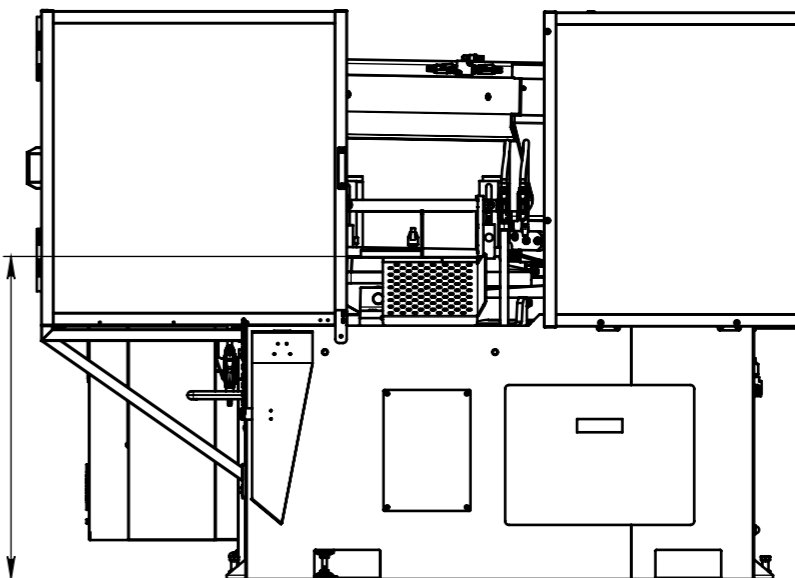


LAYOUT JUPITER XL



850 ± 10 mm
H PIANO DI TAGLIO
WORKTOP HEIGHT



	DATE	DESCRIPTION		
	06-02-2025	JUPITER XL		
DRAWN BY		SCALE	SIZE	SHEET 1 OF 1
		1:20	A3	